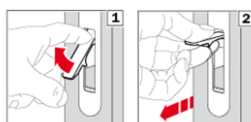
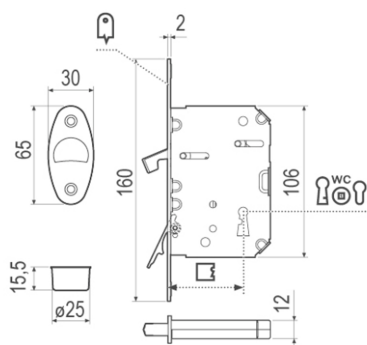


ATLANTIC[®] AGB SLIDING DOOR BATHROOM LOCK SET WITH SQUARE FLUSH HANDLE - PAGE 1

Product Code	See below
Product Name	ATLANTIC [®] AGB Sliding Door Bathroom Lock Set with Square Flush Handles
Product Description	ATLANTIC [®] AGB Sliding Door Bathroom Lock Set with Square Flush Handles
Product Base Material	Steel
Available Finishes	Matt Black (MB) - B046515093 Polished Brass (PB) - B046515003 Satin Chrome (SC) - B046515034

Other Information	To be cleaned using a soft damp cloth. Chemicals, solvents or abrasives will damage the applied finish. 10 Year Mechanical Guarantee subject to fitting requirements. Sold with matching wood screws.
-------------------	---

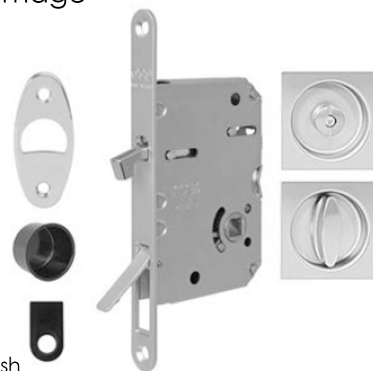
Dimensions



Back Set: 50mm
Case height: 106mm
Faceplate Height: 160mm
Spindle: 8mm
Inside of Pull: 45.5mm
Diameter of rear of pull: 48mm
Overall Pull Diameter: 60mm

Please see next page for further dimensions.

Product Image



Product Finish
Pictured: Satin Chrome

Care of Finish

In the unusual event of this product failing mechanically, we will replace it free of charge, providing you can supply us with the faulty product and a receipt to show proof of purchase. If the items are not fitted in accordance with the fitting instructions, in a correct application, this may not apply.

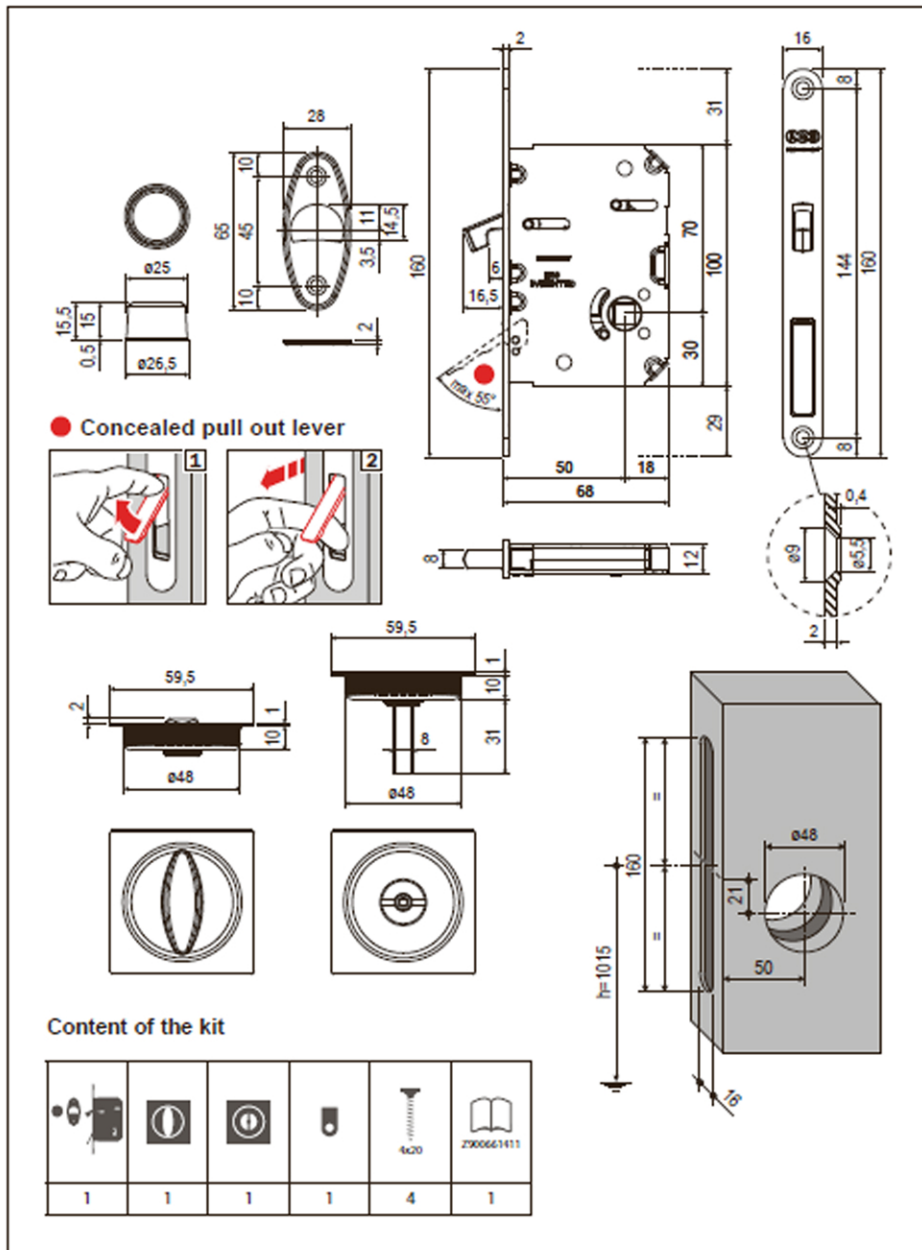
Products have an applied finish, and we do recommend regular cleaning with a soft cloth. If necessary, you may moisten the cloth, with water. If this is not effective in removing accumulated deposits, try using a PH-neutral soap on a soft cloth, then remove the soap immediately after application, with the help of a clean, moist, soft cloth. Under no circumstances should you use an abrasive/hard tool, chemical, acidic or abrasive substance to clean these products. This will break down the applied finish. The finish may chip or scratch if subjected to impact from sharp items such as keys and jewellery. Atlantic UK retains the right to send items away for chemical testing to analyse if the product has come into contact with any abrasive or chemical substance before issuing replacements.

Please be aware that in environments where there are high concentrations of chemicals in the air, for example from the use of low-quality paint or corrosive agents, corrosion and damage may occur to the surface of the product. Products should therefore not be fitted in such environments, until the high concentration of chemicals in the air has subsided.

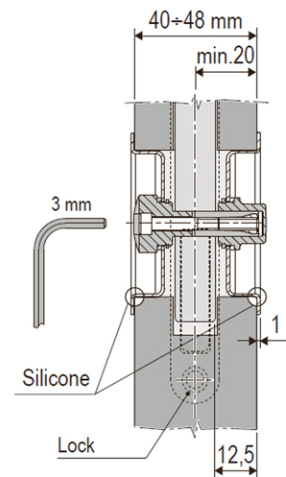
the finish matters

ATLANTIC[®] AGB SLIDING DOOR BATHROOM LOCK SET WITH SQUARE FLUSH HANDLE - PAGE 2

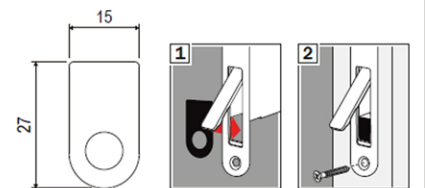
Dimensions



HANDLES ASSEMBLY



Covering plate, 0,3 mm thickness: B08999.02.93



Use

To make the sash sliding, use the pull out lever placed in the lock forend. The ergonomic grip allows to overpass the resistance of the systems regarding the brake of sliding doors.

Fastening

The pull handles are directly secured by expansion squared spindle, automatically adapting to 40÷48 mm wide doors. Follow the assembly instructions provided with the kit. Milling cutters art. Z00005.48.01 - 48 mm diameter, are available to mill the pull handle recesses.

the finish matters